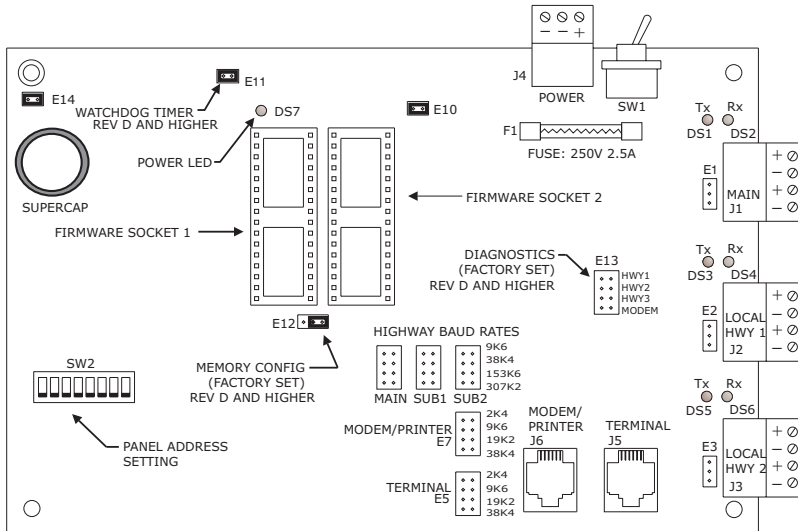




WALKER SYSTEMS

building intelligence



DESCRIPTION

The WS1600 Node Controller is an active network hub used to link up to 3 SmartLAN sections together in large installations. Special alarm and communications handling in the Node make it a powerful supervisory controller.

Using Nodes in large systems provides a means for effective zone management. Nodes can be positioned to manage physical zones or common equipment, making all programming, diagnostic and supervisory functions for that zone or equipment group available at one location. The Node is designed to handle high-volume trending and alarm buffering.

DESIGNED & MANUFACTURED IN CANADA BY **WALKER SYSTEMS CORPORATION**
 106 - 4226 COMMERCE CIRCLE VICTORIA, BC, CANADA V8Z 6N6
 TEL 250 727 0488 FAX 250 727 6481 email walker@walkersys.com

WS1600 (NODE CONTROLLER)

APPLICATIONS

- communications buffer/network hub
- zoned control strategies
- distributed equipment locations
- very large systems (2000+ controllers)
- ASCII protocol for I/O Bus systems integration

FEATURES

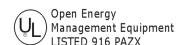
HARDWARE

- isolated switching power supply
- 256k RAM expandable to 512k
- watchdog timer
- data highway diagnostic hardware
- FLASH memory
- communication/power supply LEDs
- SuperCap battery backup
- standard real time IC clock

SOFTWARE

- menu-driven operator interface
- multilevel password security
- English language programming
- global system access
- system-wide programming and diagnostics
- dial in/automatic dial out capabilities
- accelerated alarm handling
- high throughput communications buffer

www.walkersys.com



FORM # WSC99-060

WS1600 NODE CONTROLLER
TECHNICAL SPECIFICATIONS

CPU & MEMORY

PROCESSOR			MEMORY		OTHER	
CPU	MHz	BITS	RAM	ROM	CLOCK	RAM / CLOCK BACKUP
Z280	20	16	256K*	256K	Real time IC	SuperCAP battery

* expandable to 512k for additional trending and labels

COMMUNICATION PORTS

TYPE	USAGE	1.2 kbps	2.4 kbps	4.8 kbps	9.6 kbps	19.2 kbps	38.4 kbps
RS-232	modem / printer	✓	✓	✓	✓		
RS-232	terminal	✓			✓	✓	✓
RS-485	SmartLAN network				✓		✓
RS-485	SmartLAN network				✓		✓
RS-485	SmartLAN network				✓		✓

ELECTRICAL / MECHANICAL

TRANSFORMER	VA RATING	BOARD SIZE	RS-232 CONNECTORS
16 – 24 VAC	11	200 x 130mm	RJ12

25.4mm = 1.0 inches

ENVIRONMENTAL

OPERATING TEMPERATURE	STORAGE TEMPERATURE	RELATIVE HUMIDITY
0°C to 50°C (32°F to 122°F)	-35°C to 66°C (-31°F to 151°F)	0 to 95% RH, non-condensing