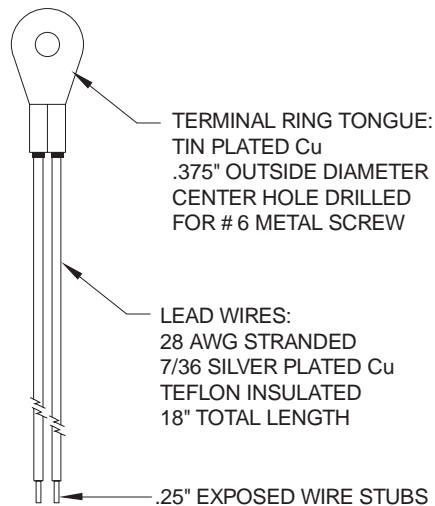




WALKER SYSTEMS

building intelligence



DESCRIPTION

The Sens-1K outdoor air sensor connects to all Walker controllers and gives accurate and stable temperature readings down to -40°C (-40°F).

FEATURES

HARDWARE

- Analog point type 3 or 4 in Walker database saves programming time
- Epoxy-protected package is rugged and durable
- Screw hole in mounting tab allows easy mounting
- Long teflon-insulated wires allow termination inside building

SENS-1K

(OUTDOOR AIR TEMPERATURE SENSOR)

FEATURES

RESISTANCE

- 18,550—589 ohms from
-40° to 40°C (-40°F to 104°F);
1,000 ohms at 25°C (77°F)

ACCURACY

- 70°C to 0°C ± 0.2%
(158°F to 32°F ± 0.36%)
- 0°C to -20°C ± 0.4%
(32°F to -4°F ± 0.72%)
- -20°C to -40°C ± 0.6%
(-4°F to -40°F ± 1.08%)

OPERATING TEMPERATURE

- -40°C to 150°C
(-40°F to 302°F)

HUMIDITY

- 95% rh noncondensing

ENVIRONMENT

- Can withstand outdoor weather conditions

MOUNTING

- Attach to non-metal surface with #6 screw; must be shielded from direct sunlight